

Flat Section Spring Washer

Material: Mild Steel

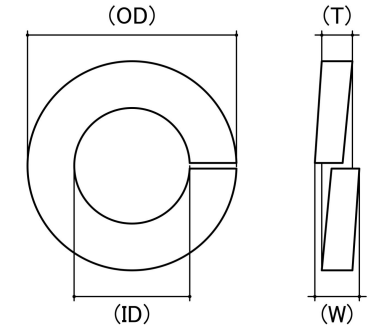
Class Grade: Low Tensile Class 4.6

Corrosion Protection Level: Moderate

Finish: Zinc Plated

Standard: DIN 127B

System Of Measurement: Metric



*CAD drawings shown for graphic representation only.**

Industry Size (mm)	Inside Dimension (ID) (mm)		Outside Dimension (OD) (mm)	Width (W) (mm)	Thickness (T) (mm)	sku (qfind)
	Min	Max	Nom	Nom	Nom	
3	3.10	3.40	6.20	1.30	0.80	71P3
4	4.10	4.50	7.60	1.50	0.90	71P4
5	5.10	5.50	9.20	1.80	1.20	71P5
6	6.10	6.70	12.00	2.50	1.60	71P6
8	8.00	8.50	15.00	3.00	2.00	71P8
10	10.20	10.75	18.00	3.50	2.20	71P10
12	12.20	13.00	21.00	4.00	2.50	71PM12
14	14.20	14.70	24.00	4.50	3.00	71PM14
16	16.20	17.00	27.00	5.00	3.50	71P16
20	20.90	22.10	33.50	6.00	4.00	71P2060
24	24.50	26.50	40.00	7.00	5.00	71P2470

Disclaimer:

Dimensional data and technical information was obtained from publically available sources and not acquired through standard agencies. It has been completed and compiled for reference purposes only; where discrepancies are found they are subject to change without notice. Bolt & Nut Australia makes no warranties or representations regarding the accuracy and validity of the compiled information and data. Contact the relevant standard authorities for accurate and detailed information.

* CAD drawings may not reflect diameter, thread length or overall length.

© Bolt & Nut Australia Pty Ltd. All rights reserved.

Version: 18 Mar 2024